

RAA Series Room Thermostats

Product Numbers

RAA10C
RAA10CW
RAA20U
RAA20UW

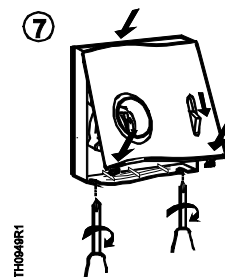
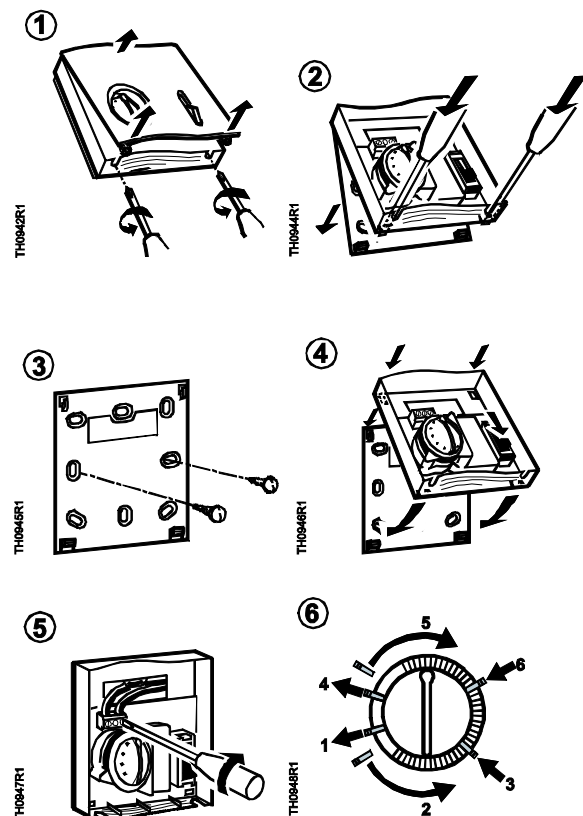
Required Tools

- Flat-blade screwdriver
- Wire strippers
- Level
- Electric drill

Expected Installation Time

30 minutes

Installation



ARG70 Wall Plate Adapter

NOTE: An ARG70 Wall Plate Adapter is required to mount an RAA... Thermostat to a 2 x 4 electrical wall box to meet UL and cUL requirements.

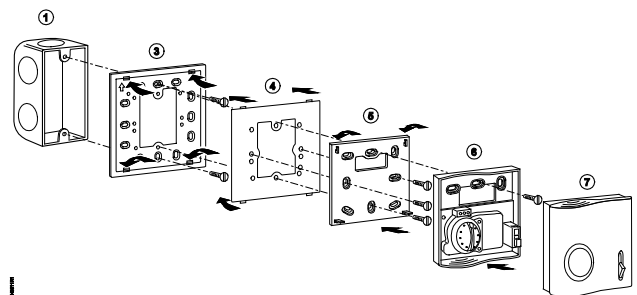


Figure 1. 2 x 4-inch Electrical Wall Plate Installation.

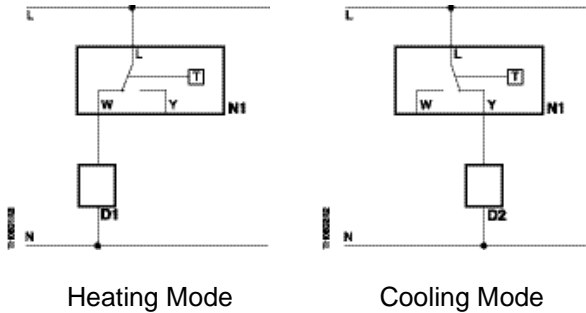
- | | |
|------------------------|--------------------|
| 1 Electrical wall box | 5 Sub-base |
| 3 Wall plate adapter * | 6 Thermostat base |
| 4 Adapter mask * | 7 Thermostat cover |

* Included with ARG70

The installation is now complete.

Wiring Diagrams

RAA10... and RAA20...



- | | |
|---------------------|--------------------------|
| D1 Heating device | N1 Room thermostat |
| D2 Cooling device | T Thermal switch |
| L Operating voltage | W Heating control output |
| N Neutral | Y Cooling control output |

Figure 2. Wiring Diagrams.

Dimensions

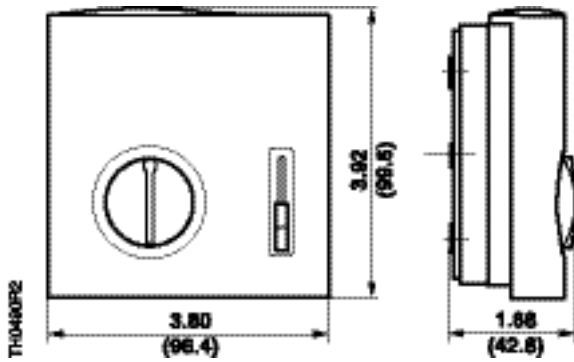


Figure 3. Dimensions in Inches (Millimeters).

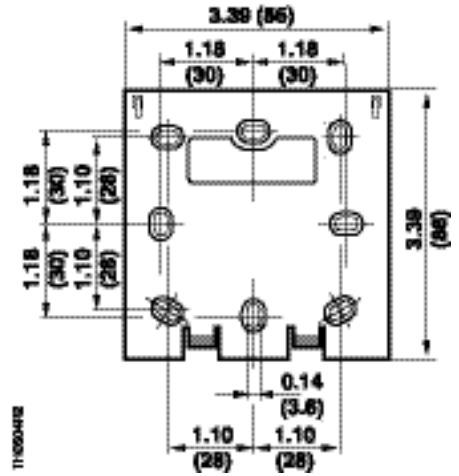


Figure 4. Base Plate Dimensions in Inches (Millimeters).

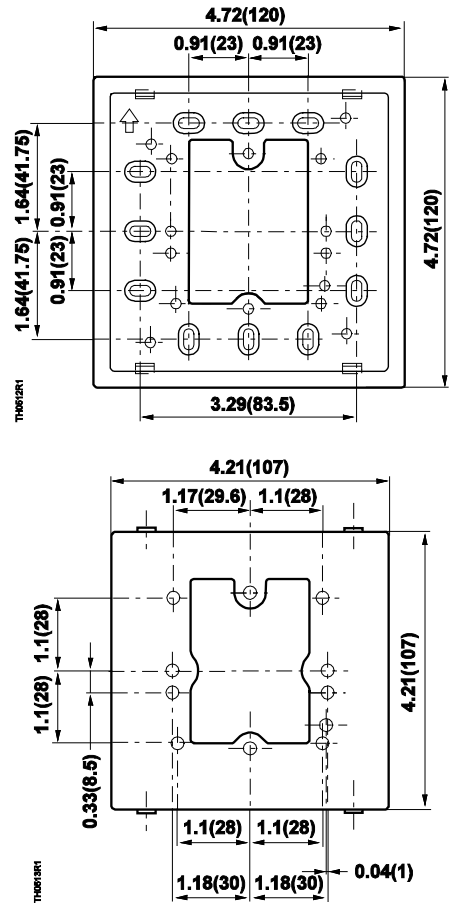


Figure 5 ARG70.

Information in this publication is based on current specifications. The company reserves the right to make changes in specifications and models as design improvements are introduced. Products or company names mentioned herein may be the trademarks of their respective owners. © 2007 Siemens Industry, Inc.